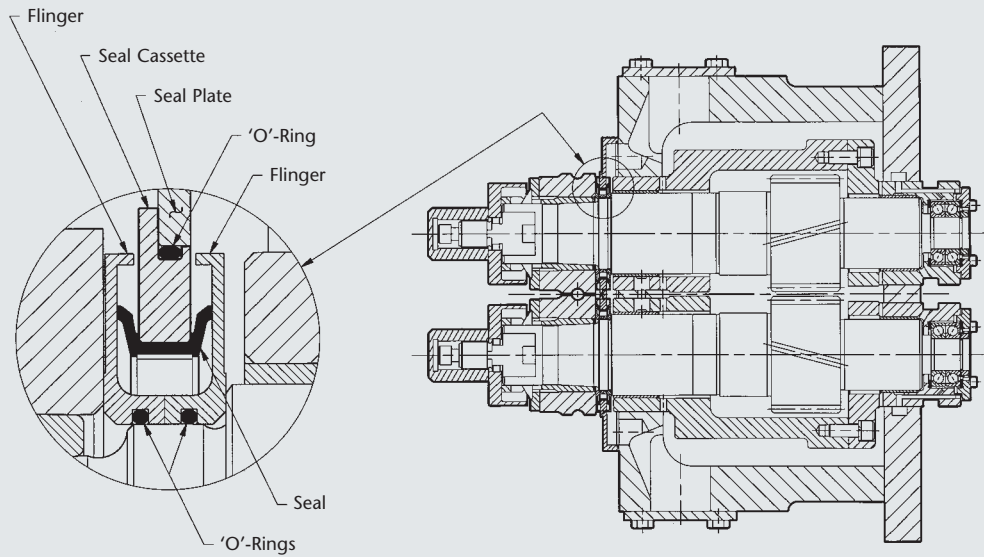


Seal Cassette Conversion

- *Maximize productivity*
- *Exceptional reliability*
- *Reduce operating cost*



Special Seal Installation Tools Available

More Than Spares & Guides...

Morgan Guaranteed Parts™ and Service help achieve Morgan's Standard of Success

- Yield: 96% - 97%
- Utilization: 80% - 90%
- Rejections: Maximum of 1%
- Cobble rates: Maximum of 0.4%

Productivity

- Cassette mounting, significantly reduces the time to change seals, minimizing downtime
- Special 'Morgan Seal' optimizes service life

Reliability

- Prevents ingress of contaminants to the lubrication system
- Minimizes oil loss from the roll housings, protecting critical rotating components

Maintainability

- Corrosion resistant stainless steel fasteners facilitate quick and easy maintenance
- Individual cassettes enable rapid changing of a single seal without removing the seal plate