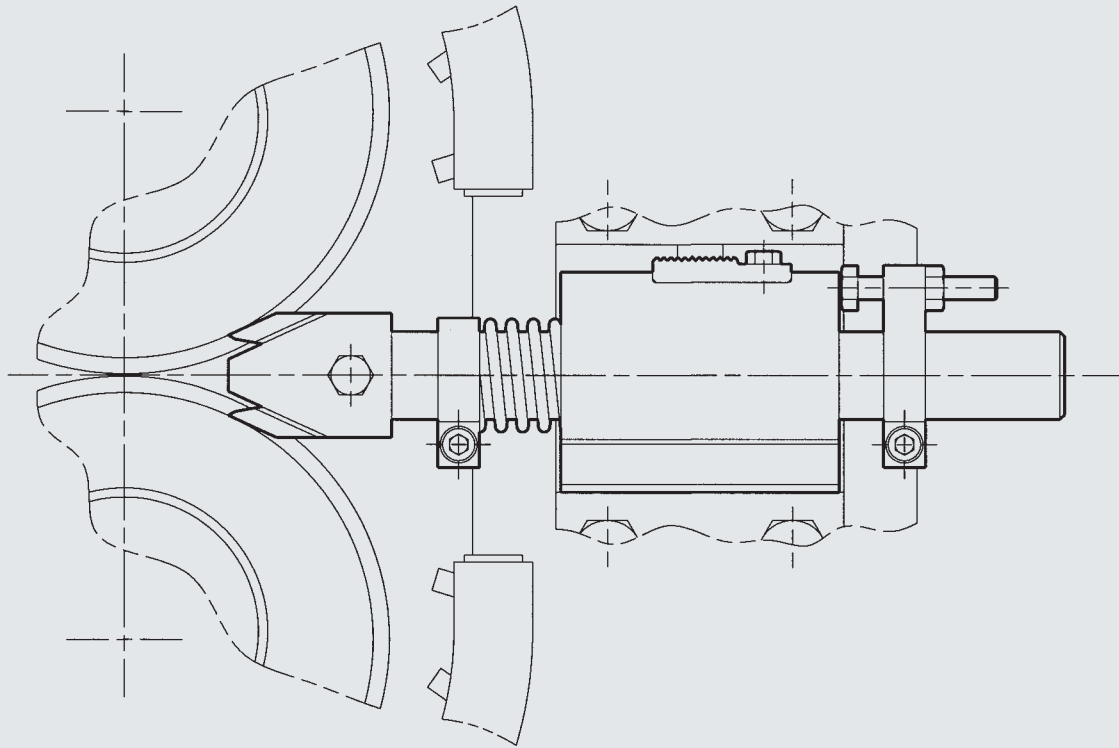




Rebar Finishing Delivery Guide

- *Maximize productivity*
- *Exceptional reliability*
- *Reduce operating cost*



More Than Spares & Guides...

Morgan Guaranteed Parts™ and Service help achieve Morgan's Standard of Success

- *Yield:* 96% - 97%
- *Utilization:* 80% - 90%
- *Rejections:* Maximum of 1%
- *Cobble rates:* Maximum of 0.4%

Productivity

- Adjustable spring loaded nosepiece minimizes cobbles and reduces roll wear
- Precisely manufactured nosepiece gives smooth guiding of finished product, minimizing cobbles
- Quick and simple mounting minimizes downtime at size change

Reliability

- Stainless steel nosepiece resists wear, pick-up and corrosion
- Designed to facilitate controlled cobble breakout, minimizing damage to surrounding equipment
- High strength stainless steel bracket facilitates secure and accurate guide location